

Axial Fans \varnothing 200, \varnothing 250

A new family of small axial fans



TECHNICAL DATA

Type	Fan Outside Diameter - \varnothing mm	Height - C mm	Air Flow m^3/h	Max. Ambient Temperature $^{\circ}C$	Noise level dBA	Poles 4,6	Speed RPM	Current A	Power Input W	Capacitor μF	Frequency Hz	Voltage V	Curve No.
R09R-2025P-2M-1505 (1)	200	84	700	50	65,7	2	2580	0.20	55	1,5	50	230-240	1
R09R-2525P-2M-3516 (2)	250	95	1460	50	71,5	2	2700	0.44	160	4	50	230	2
R09R-2525P-4M-2505 (3)	250	95	780	35	58,5	4	1460	0.24	70	2	50	230-240	3
R09R-2525P-6M-2504 (4)	250	95	510	50	43,7	6	980	0.17	45	1,5	50	230-240	4

Dimensions A, B, C, D, E depended on selected fan type

Options available: without guard grill; with guard grill; with guard grill and bell mouth

Air performance of fans is measured according to ANSI/AMCA-21 0-99

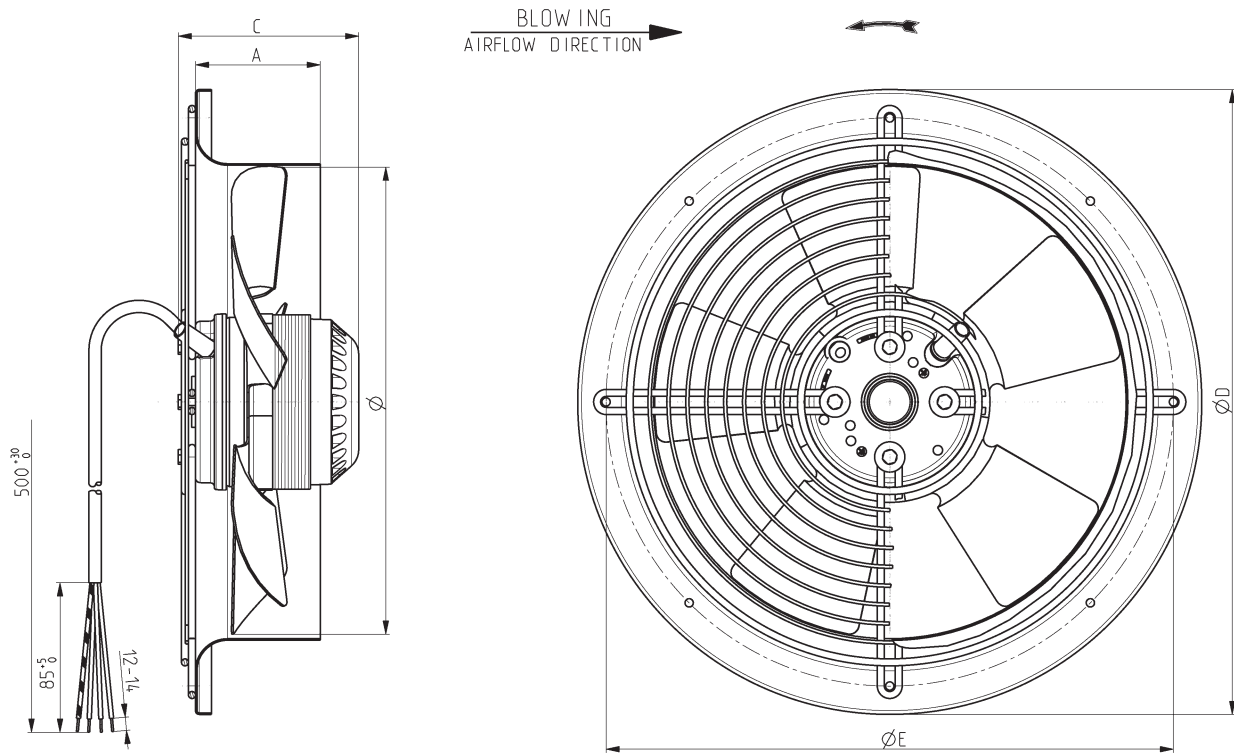
Fans are measured in full bell mouth with guard grille. The results are valid for an air density of $1,2kg/m^3$ at $20^{\circ}C$.

Data in table are valid for free air delivery.

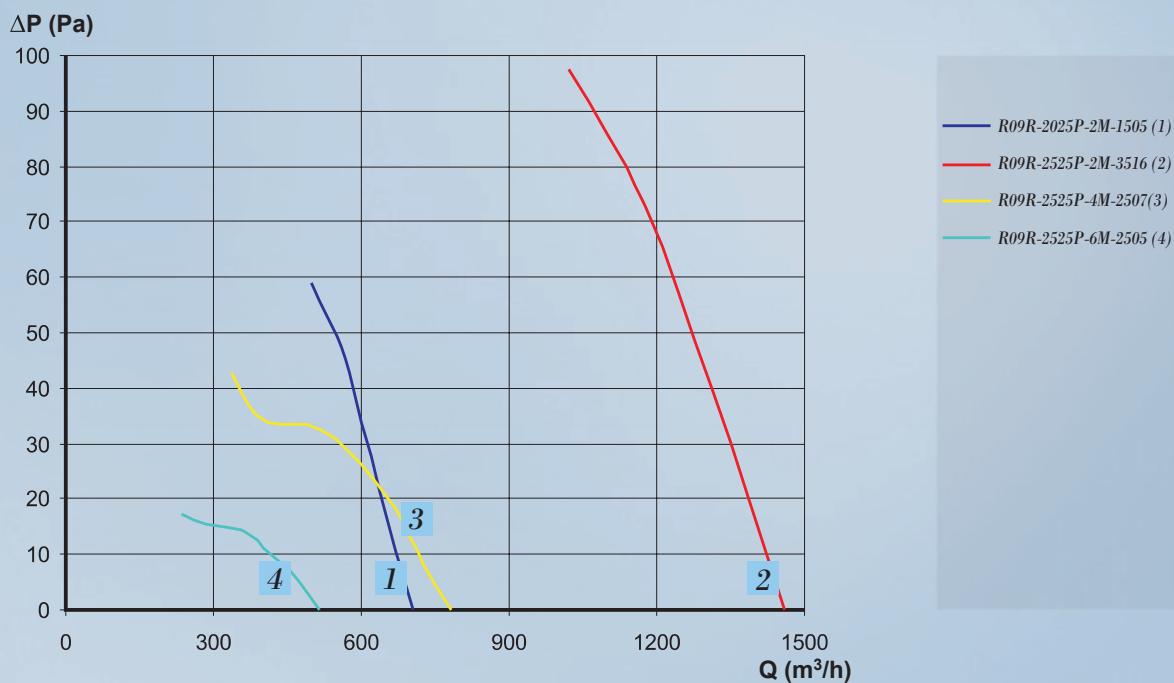
Motors for fans are thermally protected - F insulation class and with IP44 or IP54 protection.

Maintenance free ball bearings suitable for min. ambient temperature of $-30^{\circ}C$ are mounted (special ones for different conditions available on request). Life time expectancy for bearings - L10 is at least 35.000 hours and depends on ambient temperature and application conditions.

We keep the rights to make any dimensional and design changes due to our improvement process.



ΔP (Q) - Characteristics



Produced by:
Rotomatika Fans d.o.o.
 Spodnja Kanomlja 23, 5281 Spodnja Idrija, Slovenia
 Tel.: +386 5 3756 000, Fax: +386 5 3756 517
 www.rotomatika.si, e-mail: sales@rotomatika-fans.si